

20 A

500 V

U MAXI

DECONTACTOR™ DSN1



IP66
IP67
IP69



1-2,5 mm² (1)
1,5-4 mm² (2)



GRP



IK09



-40 °C
+60 °C



AC-22
AC-23



60309-1
60309-4
60947-3



2 PIL (3)

(1) Flexible wiring (min.-max.).
(2) Stranded wiring (min.-max.).
(3) Flexible wiring 0.8 mm².



Other configurations
on request



For a black colour
housing replace the
second reference
character with 5.

LOAD-BREAK CAPABILITY OF THE DECONTACTOR™

Comply with IEC/EN 60309-1 and IEC/EN 60309-4 standards	20 A/500 V
Load-break capability according to IEC/EN 60947-3/AC-22	20 A/500 V
Load-break capability according to IEC/EN 60947-3/AC-23	20 A/500 V
Short-circuit current I _{cc}	10 kA
Power kW AC-22/AC-23	10 kW

SOCKET-OUTLET

female
DSN1



INLET male
DSN1



Dual-voltage
socket-outlet
(see p. 11)

20-24 V AC	2P	611408A	611808A
220-250 V AC	1P+N+E	6114015	6118015
380-440 V AC	3P+E	6114013	6118013
220-250 V AC 380-440 V AC	3P+N+E	6114017	6118017
480-500 V AC	3P+E	6114093	6118093
480-500 V AC	3P+N+E	6114097	6118097
Pilotes 2A/250 V AC	+ 2 pilots*	Ref. + 972	NA


► Other currents, voltages, frequencies and contact configurations are available (see page 14).

* Unlike the rest of the DSN range, DSN1 auxiliaries are located on the female side only and are shunted. Electrical continuity is only ensured when the inlet and the socket-outlet are connected and when the pilot circuit is closed.

OPTIONS Reference


INDUSTRIAL/DOMESTIC ADAPTERS

Industrial inlet MARECHAL® 1P+N+E and domestic socket-outlet 10/16 A 230 V fuse protection 10A and 16 A (with integrated fuse). All these plug adapters are available to local standards: replace D11 by D40 for UK, D30 for Germany/Netherlands/Luxembourg, D06 for Italy.



6118015D11

LOCKING PIN FOR 2 PADLOCKS Ø 4 TO 8 mm (PADLOCK NOT SUPPLIED)




Socket-outlet ref. +843

SAFETY HASP FOR UP TO 6 PADLOCKS




613A541

LARGER RELEASE BUTTON



Ref. socket +453

INLET CAP IP66/IP67




611A426

IN-LINE CONNECTIONS (A PAIR OF FINGER DRAW PLATES TO AID CLOSING)




611A346

IP40 SELF RETURNING LID (MANUAL CLOSING)



Socket-outlet ref.+R

SELF-EJECTING



See page 192

PRODUCTS AVAILABLE IN BLACK ●



The black dot means these products are also available in black color. Replace the second character of the product reference with 5

PRODUCT WITH ANTI-BACTERIAL TREATMENT ● **NEW**



This sticker means that the product is also available with an antibacterial treatment. Add the suffix AG to the reference. For more information on anti-bacterial treated handles please consult us.

SLEEVE Reference

POLY SLEEVE ●


	30°	511M3
	70°	511M7

METAL SLEEVE


	0° (Straight)	591M0
	30°	591M3

BOXES Input Reference

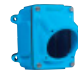
POLY BOX ●

	30°	M20	511B3M20
	30°	M25	511B3M25

POLY BOX + POLY SLEEVE (BLACK VERSION SEE ACCESSORIES DXN1 PAGE 239)

	70°	Without hole	511C7000
	70°	Hole Ø 20	511C7M20
Earth bar ref.: 51AA089	70°	Hole Ø 25	511C7M25
	70°	Hole Ø 32	511C7M32




METAL BOX (+ EARTHING WIRE) + POLY SLEEVE

	30°	M20	511C3M20
---	-----	-----	----------


Cable glands are not delivered with the boxes.

HANDLE Input/Cable outer Ø Reference Self-ejection


POLY HANDLE WITH GLAND ● ●

	9-18 mm	511P0D18	/
	5-21 mm	511P0D21	/
	60° 9-18 mm	511P6D18	/

POLY HANDLE + POLY CABLE GLAND ● ●

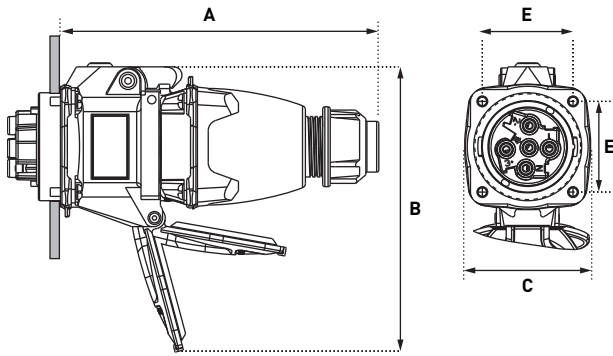
	5-12 mm	511P020P	Ref. +443 (10-14 mm)
	9-18 mm	511P025P	Ref. +443 (12-18 mm)
	14-25 mm	511P032P	Ref. +443

POLY HANDLE (WITHOUT CABLE GLAND) ●

	M20	511P0M20	/
	M25	511P0M25	/
	M32	511P0M32	/

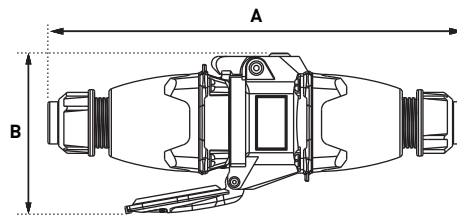
DRAWINGS AND DIMENSIONS

PLUG ON SOCKET-OUTLET



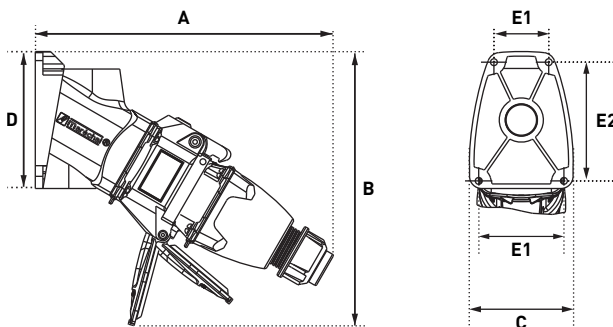
A	B	C	E
147	134	58	42

COUPLER



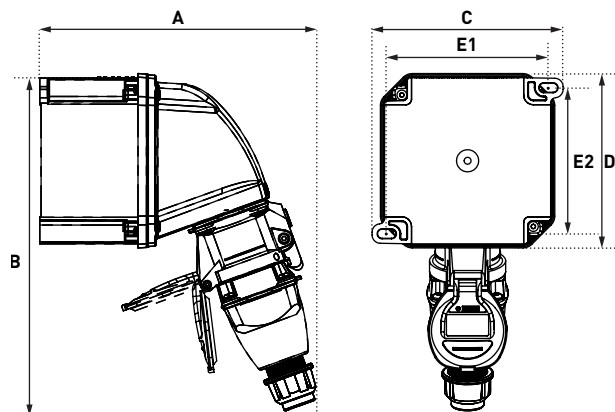
A	B
231	89

PLUG ON 30° WALL-MOUNTED SOCKET-OUTLET



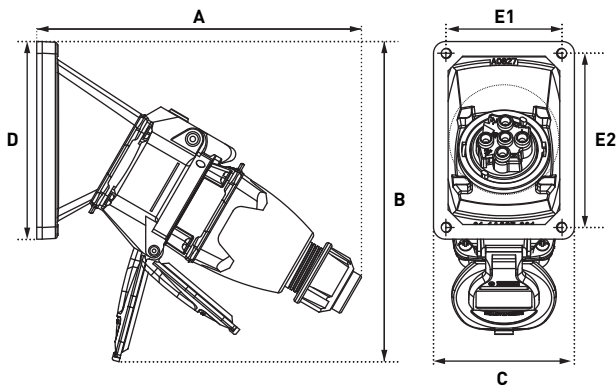
A	B	C	D	E1	E2
196	180	68	90	36/56	78

PLUG ON 70° WALL-MOUNTED SOCKET-OUTLET

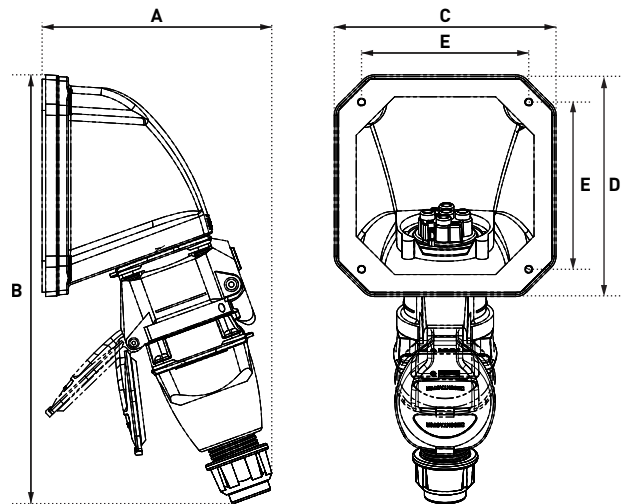


A	B	C	D	E1	E2
200	244	138	126	117	106

PLUG ON 30° INCLINED SOCKET-OUTLET



PLUG ON 70° INCLINED SOCKET-OUTLET



A	B	C	D	E1	E2
177	175	77	108	64	95

A	B	C	D	E
131	244	126	126	95

