

32 A

690 V

U MAXI

DECONTACTOR™ DSN3



IP66
IP67
IP69



2,5-6 mm² (1)
2,5-10 mm² (2)



GRP



IK09



-40 °C
+60 °C



AC-22
AC-23



60309-1
60309-4
60947-3



2 AUX. (3)

- (1) Flexible wiring (min.-max.).
- (2) Stranded wiring (min.-max.).
- (3) Flexible wiring : 2,5-6 mm²,
stranded : 2,5-10 mm²



**Other cable sections:
please contact us**



**For a black colour
housing replace the second
reference character with 5.**

LOAD-BREAK CAPABILITY OF THE DECONTACTOR™

Comply with IEC/EN 60309-1 and IEC/EN 60309-4 standards	32 A/690 V
Load-break capability according to IEC/EN 60947-3/AC-22	32 A/690 V
Load-break capability according to IEC/EN 60947-3/AC-23	32 A/480 V
Short-circuit current I _{cc}	10 kA
Power kW AC-22/AC-23	18,5 kW

**SOCKET-
OUTLET** female
DSN3



INLET male
DSN3













**Dual-voltage
socket-outlet
(see p. 11)**



20-24 V AC	2P	613408A	613808A
220-250 V AC	1P+N+E	6134015	6138015
380-440 V AC	3P+E	6134013	6138013
220-250 V AC 380-440 V AC	3P+N+E	6134017	6138017
660-690 V AC	3P+E	6134193	6138193
380-400 V AC 660-690 V AC	3P+N+E	6134197	6138197
Auxiliaries 30 A/500 V AC	+ 2 contacts	Ref. + 972	Ref. + 972

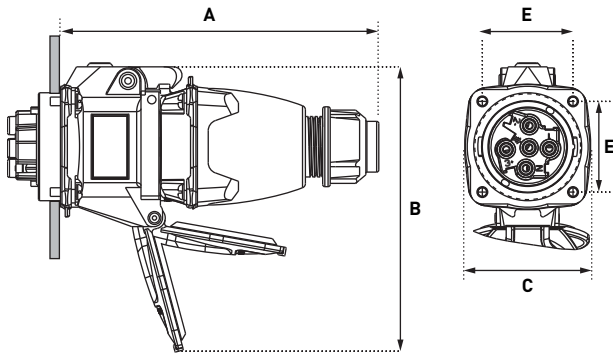
- ▶ Other currents, voltages, frequencies and contact configurations are available (see page 14).
- * When ordering the auxiliary option, the maximum tolerated voltage is reduced to 500 V AC.

OPTIONS	Reference
INDUSTRIAL/DOMESTIC ADAPTERS	
Industrial inlet MARECHAL® 1P+N+E and domestic socket-outlet 10/16A 230 V fuse protection 10A and 16A (with integrated fuse). All these plug adapters are available to local standards: replace D11 by D40 for UK, D30 for Germany/Netherlands/Luxembourg, D06 for Italy.	
 	6138015D11
LOCKING PIN FOR 2 PADLOCKS Ø 4 TO 8 mm (PADLOCK NOT SUPPLIED)	
	Socket-outlet ref. +843
SAFETY HASP FOR UP TO 6 PADLOCKS	
	613A541
LARGER RELEASE BUTTON	
	Ref. socket +453
INLET CAP IP66/IP67	
	613A426
IN-LINE CONNECTIONS (A PAIR OF FINGER DRAW PLATES TO AID CLOSING)	
	613A346
IP40 SELF RETURNING LID (MANUAL CLOSING)	
	Socket-outlet ref.+R
IP55 METAL LOCKABLE SELF-CLOSING LID FOR INLET	
	613A226
SELF-EJECTION	
	See page 192
PRODUCTS AVAILABLE IN BLACK ●	
The black dot means these products are also available in black color. Replace the second character of the product reference with 5	
PRODUCT WITH ANTI-BACTERIAL TREATMENT ● NEW	
This sticker means that the product is also available with an antibacterial treatment. Add the suffix AG to the reference. For more information on anti-bacterial treated handles please consult us.	

BOXES	△x°	Input	Reference
POLY BOX ●			
	30°	M20	512B3M20
	30°	M25	512B3M25
METAL BOX (+ EARTHING WIRE)			
	20°	M20	592B2M20
	20°	M25	592B2M25
POLY BOX + POLY SLEEVE (BLACK VERSION SEE ACCESSORIES DXN3 PAGE 253)			
	70°	Without hole	512C7000
	70°	Hole Ø 20	512C7M20
	70°	Hole Ø 25	512C7M25
Earth bar ref.: 51AA089	70°	Hole Ø 32	512C7M32
	70°	Hole Ø 40	512C7M40
METAL BOX (+ EARTHING WIRE) + POLY SLEEVE			
	30°	M20	512C3M20
	30°	M25	512C3M25
	30°	M32	512C3M32
	30°	M40	512C3M40
METAL BOX (+ EARTHING WIRE) + METAL SLEEVE			
	30°	M20	592C3M20
	30°	M25	592C3M25
	30°	M32	592C3M32
	0° (Straight)	M20	592C0M20
	0° (Straight)	M25	592C0M25
	0° (Straight)	M32	592C0M32
Cable glands are not delivered with the boxes.			
HANDLE	Input/ Cable outer Ø	Reference	Self-ejection
POLY HANDLE WITH GLAND ●●			
	5-21 mm	512P0D21	/
POLY HANDLE + POLY CABLE GLAND ●●			
	5-12 mm	512P020P	Ref. +443
	9-18 mm	512P025P	Ref. +443
	14-25 mm	512P032P	Ref. +443
	18-32 mm	512P040P	Ref. +443
METAL HANDLE WITH METAL GLAND (+ EARTHING WIRE)			
	7-13 mm	592P020M	/
	8-16 mm	592P025M	/
	16-24 mm	592P032M	/
POLY HANDLE (WITHOUT CABLE GLAND) ●			
	M20	512P0M20	Ref. +443
	M25	512P0M25	Ref. +443
	M32	512P0M32	Ref. +443
	M40	512P0M40	Ref. +443
METAL HANDLE METRIC THREAD ENTRY (WITHOUT CABLE GLAND)			
	M20	592P0M20	/
	M25	592P0M25	/
	M32	592P0M32	/

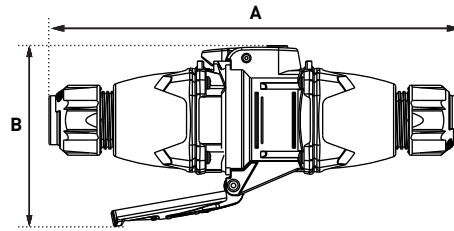
DRAWINGS AND DIMENSIONS

PLUG ON SOCKET-OUTLET



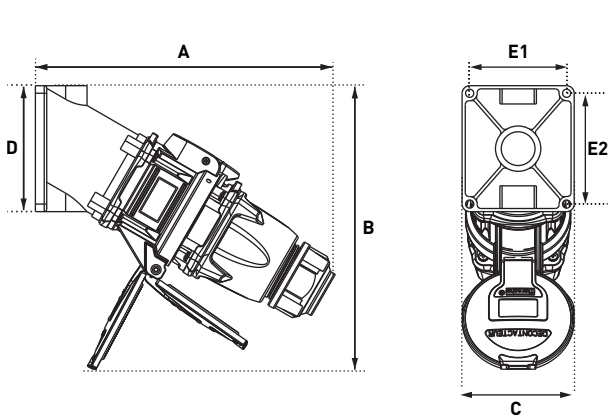
A	B	C	E
171	171	77	48

COUPLER



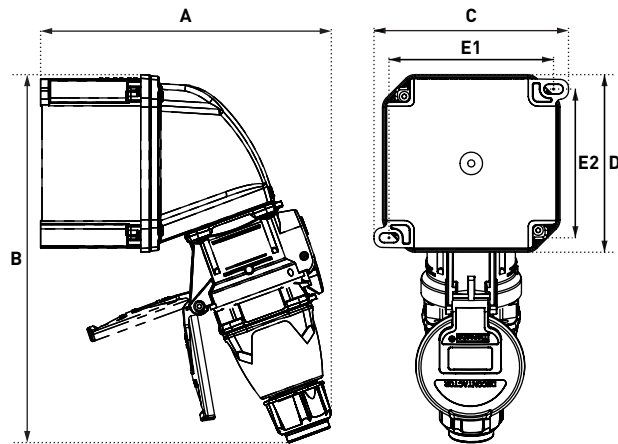
A	B
265	116

PLUG ON 30° WALL MOUNTED SOCKET OUTLET



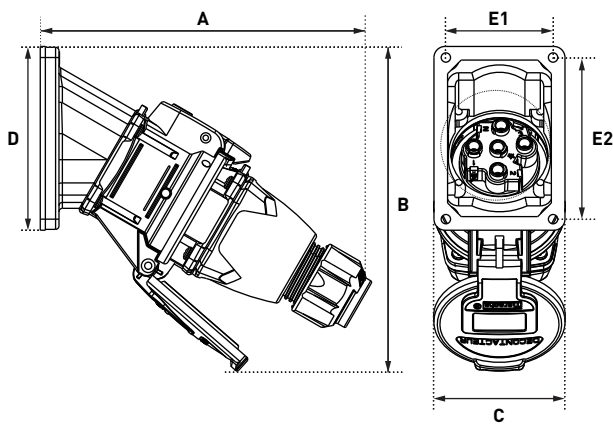
A	B	C	D	E1	E2
213	191	84	84	70	70

PLUG ON 70° WALL-MOUNTED SOCKET-OUTLET

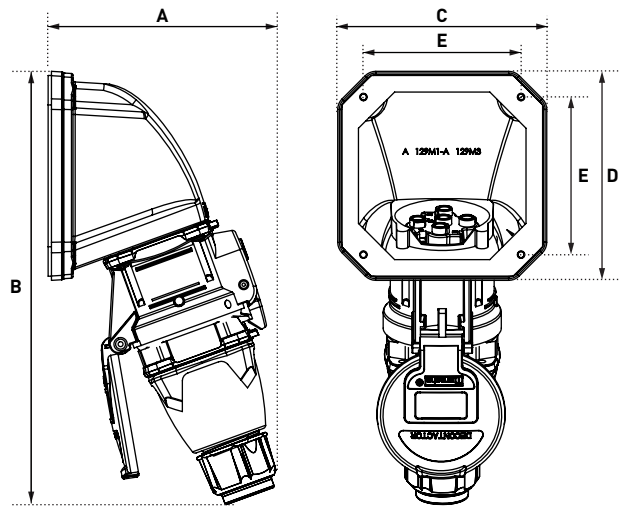


A	B	C	D	E1	E2
207	262	138	126	117	105.5

PLUG ON 30° INCLINED SOCKET-OUTLET



PLUG ON 70° INCLINED SOCKET-OUTLET



A	B	C	D	E1	E2
195	165	77	191	63	95

A	B	C	D	E
138	262	126	126	95

