

# 63 A

1 000 V  
U MAXI

## DECONTACTOR™ DSN6



IP66  
IP67  
IP69



6-16 mm<sup>2</sup> (1)  
10-25 mm<sup>2</sup> (2)



GRP



IK09



-40 °C  
+60 °C



AC-22  
AC-23



60309-1  
60309-4  
60947-3



4 AUX. (3)

(1) Flexible wiring (min.-max.).  
(2) Stranded wiring (min.-max.).  
(3) Flexible wiring : 1-2,5 mm<sup>2</sup>,  
stranded : 1,5-4 mm<sup>2</sup>



**Other cable sections:  
please contact us**



**For a black colour  
housing replace the second  
reference character with 5.**

### LOAD-BREAK CAPABILITY OF THE DECONTACTOR™

Comply with IEC/EN 60309-1 and IEC/EN 60309-4 standards	(63 A/690 V) or (45 A/1000 V)
Load-break capability according to IEC/EN 60947-3/AC-22	40 A/690 V
Load-break capability according to IEC/EN 60947-3/AC-23	63 A/400 V
Short-circuit current I <sub>cc</sub>	10 kA
Power kW AC-22/AC-23	30 kW

### SOCKET-OUTLET

female  
DSN6











INLET male  
DSN6



**Dual-voltage  
socket-outlet  
(see p. 11)**

20-24 V AC	2P	616408A	616808A
190-230 V AC	3P+E	6164033	6168033
220-250 V AC	1P+N+E	6164015	6168015
380-440 V AC	3P+E	6164013	6168013
220-250 V AC / 380-440 V AC	3P+N+E	6164017	6168017
660-690 V	3P+E	6164193	6168193
380-400 V / 660-690 V	3P+N+E	6164197	6168197
Auxiliaries 16 A/400 V AC	+ 2 contacts	Ref. + 972	Ref. + 972
Auxiliaries 16 A/400 V AC	+ 4 contacts	Ref. + 264	Ref. + 264

▶ Other currents, voltages, frequencies and contact configurations are available (see page 14).

OPTIONS	Reference
<b>LOCKING PIN FOR 2 PADLOCKS Ø 4 TO 8 mm (PADLOCK NOT SUPPLIED)</b>	
	Socket-outlet ref. +843
<b>SAFETY HASP FOR UP TO 6 PADLOCKS</b>	
	613A541
<b>LARGER RELEASE BUTTON</b>	
	Ref. socket +453
<b>INLET CAP IP66/IP67</b>	
	616A426
<b>IN-LINE CONNECTIONS (A PAIR OF FINGER DRAW PLATES TO AID CLOSING)</b>	
	616A346
<b>IP40 SELF RETURNING LID (MANUAL CLOSING)</b>	
	Socket-outlet ref.+R
<b>IP55 METAL LOCKABLE SELF-CLOSING LID FOR INLET</b>	
	616A226
<b>SELF-EJECTION</b>	
	See page 192






**PRODUCTS AVAILABLE IN BLACK ●**








The black dot means these products are also available in black color. Replace the second character of the product reference with 5

**PRODUCT WITH ANTI-BACTERIAL TREATMENT ●**




**NEW**

This sticker means that the product is also available with an antibacterial treatment. Add the suffix AG to the reference. For more information on anti-bacterial treated handles please consult us.

SLEEVE	Reference
<b>POLY SLEEVE ●</b>	
	30° 513M3
	70° 513M7
<b>METAL SLEEVE</b>	
	0° (Straight) 593M0
	30° 593M3
	70° 593M7

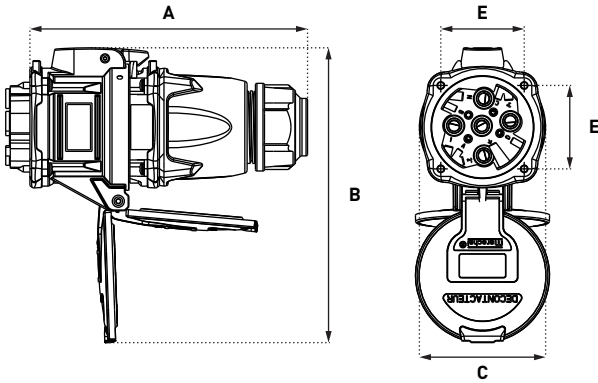
BOXES *	Input	Reference
<b>POLY BOX ●</b>		
	30° M25	513B3M25
<b>METAL BOX (+ EARTHING WIRE)</b>		
	20° M20	593B2M20
	20° M25	593B2M25
	20° M32	593B2M32
<b>POLY BOX + POLY SLEEVE (BLACK VERSION SEE ACCESSORIES DXN6 PAGE 259)</b>		
	70° Without hole	513C7000
	70° Hole Ø 25	513C7M25
	70° Hole Ø 32	513C7M32
Earth bar ref.: 51AA089	70° Hole Ø 40	513C7M40
<b>METAL BOX (+ EARTHING WIRE) + POLY SLEEVE</b>		
	30° M20	513C3M20
	30° M25	513C3M25
	30° M32	513C3M32
	30° M40	513C3M40
<b>METAL BOX (+ EARTHING WIRE) + METAL SLEEVE</b>		
	30° M20	593C3M20
	30° M25	593C3M25
	30° M32	593C3M32
	30° M40	593C3M40
	0° (Straight) M20	593C0M20
	0° (Straight) M25	593C0M25
	0° (Straight) M32	593C0M32
	0° (Straight) M40	593C0M40
	70° M20	593C7M20
	70° M25	593C7M25
	70° M32	593C7M32
	70° M40	593C7M40

\* Cable glands are not delivered with the boxes.

HANDLE	Input/ Cable outer Ø	Reference	Self-ejection
<b>POLY HANDLE WITH GLAND ●●</b>			
	10-30 mm	513P0D30	/
<b>POLY HANDLE + POLY CABLE GLAND ●●</b>			
	5-12 mm	513P020P	Ref. +443
	9-18 mm	513P025P	Ref. +443
	14-25 mm	513P032P	Ref. +443
	18-32 mm	513P040P	Ref. +443
<b>METAL HANDLE WITH METAL GLAND (+ EARTHING WIRE)</b>			
	7-13 mm	593P020M	/
	8-16 mm	593P025M	/
	16-24 mm	593P032M	/
	22-32 mm	593P040M	/
<b>POLY HANDLE (WITHOUT CABLE GLAND) ●</b>			
	M20	513P0M20	Ref. +443
	M25	513P0M25	Ref. +443
	M32	513P0M32	Ref. +443
	M40	513P0M40	Ref. +443
<b>METAL HANDLE METRIC THREAD ENTRY (WITHOUT CABLE GLAND)</b>			
	M20	593P0M20	/
	M25	593P0M25	/
	M32	593P0M32	/
	M40	593P0M40	/

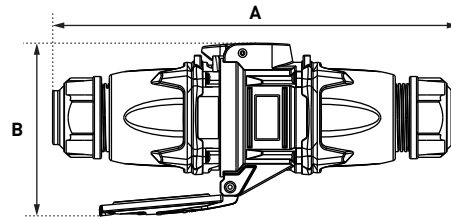
# DRAWINGS AND DIMENSIONS

PLUG ON SOCKET-OUTLET



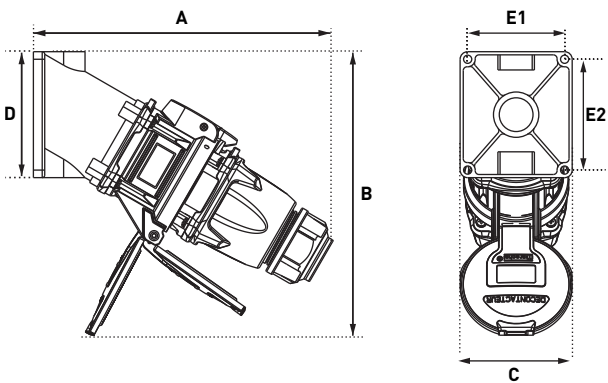
A	B	C	E
184	195	84	55

COUPLER



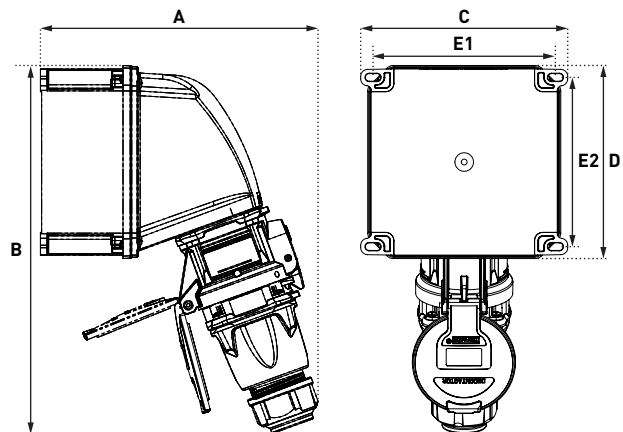
A	B
286	122

PLUG ON 30° WALL MOUNTED SOCKET OUTLET



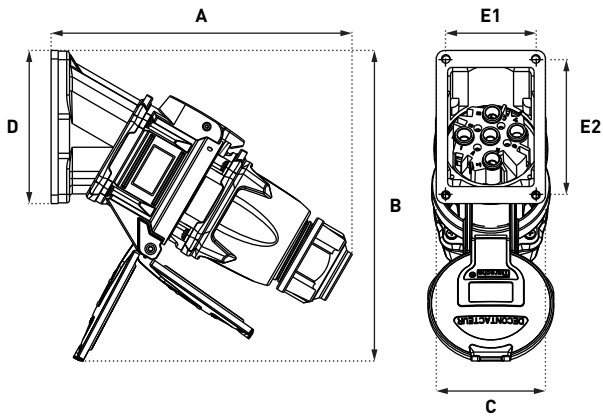
A	B	C	D	E1	E2
238	225	89	100	77	88

PLUG ON 70° WALL-MOUNTED SOCKET-OUTLET

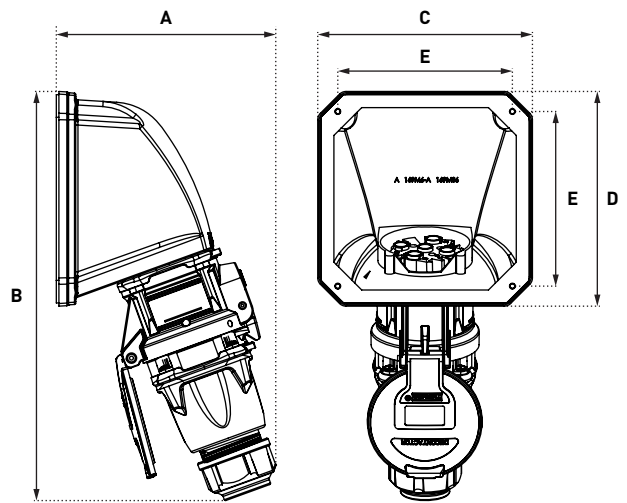


A	B	C	D	E1	E2
239	317	178	166	157	146

PLUG ON 30° INCLINED SOCKET-OUTLET



PLUG ON 70° INCLINED SOCKET-OUTLET



A	B	C	D	E1	E2
212	219	77	108	64	95

A	B	C	D	E
170	317	166	166	135

