

# 20 A

750 V  
U MAXI

## DECONTACTOR™ DX1



MARECHAL ELECTRIC FRANCE

II 2 G D      Ex de IIC    tD A21  
 -25 °C ≤ Ta ≤ +60 °C    T5    T84 °C  
 -25 °C ≤ Ta ≤ +50 °C    T6    T74 °C  
 IECEx LCI 09.0014/LCIE 05 ATEX 6127



IP65



2,5-10 mm<sup>2</sup> (1)



METAL



IK10



-25 °C  
+60 °C



ATEX



1, 2,  
21, 22



EMC

(1) Flexible and stranded wiring (min.-max.).



Other configurations  
on request

Locking position  
connected or  
disconnected by  
lockable shaft.

### STANDARDS

International and European  
IEC/EN standards

60079-0, 60079-1, 60079-7, 60079-31, 60309-1, 60309-4,

Protection mode

de, tD



Each socket outlet  
or inlet must be  
associated with a box,  
a sleeve or a handle.

**SOCKET-OUTLET**  
female  
DX1



**INCLINED  
APPLIANCE**  
inlet  
DX1




**PLUG**  
male  
DX1




220-250 V AC	1P+N+E	2624015	2626015	8-13 mm	2621015
380-440 V AC	3P+E	2624013	2626013	8-13 mm	2621013
380-440 V AC	3P+N+E	2624017	2626017	8-13 mm	2621017


► Other currents, voltages, frequencies and contact configurations are available (see page 14).


# REFERENCES ACCESSORIES

WALL BOX	Cable gland entry	Cable outer Ø	Reference
<b>WALL BOX METAL 90° EX METAL CABLE GLAND INCLUDED*</b>			
	M20	8-13 mm	262AB53
	M25	9-16 mm	262AB5325M
	M32	12-21 mm	262AB5332M

\* Optional versions for earth continuity are available, please contact us

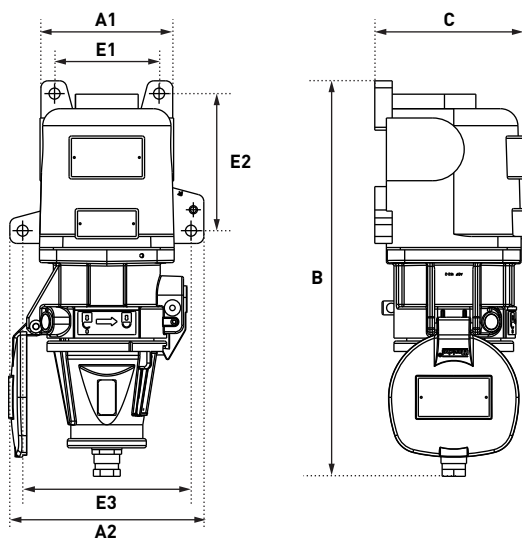
HANDLES	Cable gland entry	Cable outer Ø	Reference
<b>STRAIGHT HANDLE METAL BOX EX METAL CABLE GLAND INCLUDED*</b>			
	M20	8-13 mm	262A963
	M25	9-16 mm	262A95325M
	M32	12-21 mm	262A95332M

OPTIONS	Reference
<b>INLET CAP IP66/IP67</b>	
	262A926

ELECTROMAGNETIC COMPATIBILITY (EMC)	NEW
	Please order a metal accessory herewith, together with a Ex EMC cable gland to be found on page 318.

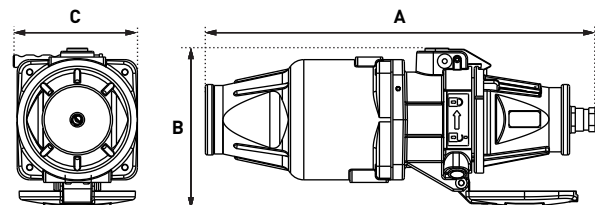
# DRAWINGS AND DIMENSIONS

**PLUG ON WALL MOUNTED SOCKET**



A1	A2	B	C	E1	E2	E3
115	145	341	129	90	118	168

**COUPLER**



A	B	C
116	154	352