

20 A

550 V
U MAX

DECONTACTOR™ DXA1



MARECHAL ELECTRIC FRANCE

II 2 G D

Ex db eb IIC T* Gb

Ex tb IIIC T* Db

-55 °C ≤ Ta ≤ +40 °C

T6

T68 °C

-55 °C ≤ Ta ≤ +60 °C

T5

T88 °C

LCIE 15 ATEX 3033X/IECEx LCIE 15.0030X



IP66
IP67



1-4 mm² (1)
1,5-6 mm² (2)



METAL



IK10



-55 °C
+60 °C



AC-22
AC-23



ATEX



1, 2,
21, 22



EMC

(1) Flexible wiring (min.-max.).
(2) Stranded wiring (min.-max.).

TEMPERATURE RATING

Gas temperature classes

T6 for an ambient T° between -55 °C and +40 °C

T5 for an ambient T° between -55 °C and +60 °C

Dust surface temperature classes

Surface T° ≤ 68 °C for an ambient T° between -55 °C and +40 °C

Surface T° ≤ 88 °C for an ambient T° between -55 °C and +60 °C

STANDARDS

International and European
IEC/EN standards

60079-0, 60079-1, 60079-7, 60079-31, 60309-1, 60309-4, 60947-3

Protection mode

db eb, tb

SOCKET-OUTLET
female
DXA1



PLUG male
DXA1



220-250 V AC	1P+N+E	2914015	2918015
380-440 V AC	3P+E	2914013	2918013
380-440 V AC	3P+N+E	2914017	2918017

WALL MOUNTING
socket female
DXA1



PLUG male
DXA1



220-250 V AC	1P+N+E	M20	8-13 mm	2914015 + 291A053	2918015 + 291A963
220-250 V AC	1P+N+E	M25	9-16 mm	2914015 + 291A05325M	2918015 + 291A95325M
220-250 V AC	1P+N+E	M32	12-21 mm	2914015 + 291A653	2918015 + 291A95332M
380-440 V AC	3P+E	M20	8-13 mm	2914013 + 291A053	2918013 + 291A963
380-440 V AC	3P+E	M25	9-16 mm	2914013 + 291A05325M	2918013 + 291A95325M
380-440 V AC	3P+E	M32	12-21 mm	2914013 + 291A653	2918013 + 291A95332M
380-440 V AC	3P+N+E	M20	8-13 mm	2914017 + 291A053	2918017 + 291A963
380-440 V AC	3P+N+E	M25	9-16 mm	2914017 + 291A05325M	2918017 + 291A95325M
380-440 V AC	3P+N+E	M32	12-21 mm	2914017 + 291A653	2918017 + 291A95332M

INCLINED SOCKET
female
DXA1



INCLINED APPLIANCE inlet male
DXA1



220-250 V AC	1P+N+E	2914015 + 291A027	2918015 + 291A027
380-440 V AC	3P+E	2914013 + 291A027	2918013 + 291A027
380-440 V AC	3P+N+E	2914017 + 291A027	2918017 + 291A027

COUPLER SOCKET
female
DXA1






WALL MOUNTING
appliance inlet male
DXA1



220-250 V AC	1P+N+E	M20	8-13 mm	2914015 + 291A963	2918015 + 291A053
220-250 V AC	1P+N+E	M25	9-16 mm	2914015 + 291A95325M	2918015 + 291A05325M
220-250 V AC	1P+N+E	M32	12-21 mm	2914015 + 291A95332M	2918015 + 291A653
380-440 V AC	3P+E	M20	8-13 mm	2914013 + 291A963	2918013 + 291A053
380-440 V AC	3P+E	M25	9-16 mm	2914013 + 291A95325M	2918013 + 291A05325M
380-440 V AC	3P+E	M32	12-21 mm	2914013 + 291A95332M	2918013 + 291A653
380-440 V AC	3P+N+E	M20	8-13 mm	2914017 + 291A963	2918017 + 291A053
380-440 V AC	3P+N+E	M25	9-16 mm	2914017 + 291A95325M	2918017 + 291A05325M
380-440 V AC	3P+N+E	M32	12-21 mm	2914017 + 291A95332M	2918017 + 291A653

► Other currents, voltages, frequencies and contact configurations are available (see page 14).

OPTIONS	Reference
LOCKING PIN FOR 2 PADLOCKS Ø 4 TO 8 mm (PADLOCKS NOT SUPPLIED)	
	Ref. + 843
INLET CAP IP66/IP67	
	291A426
IN-LINE CONNECTIONS (A PAIR OF FINGER DRAW PLATES TO AID CLOSING)	
	291A346

For other Ex cable glands, contact us.



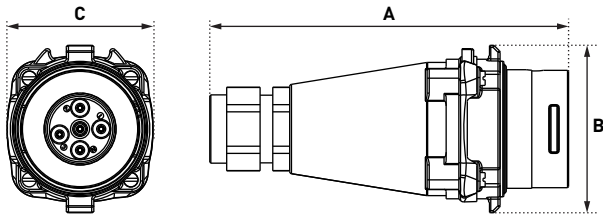
ELECTROMAGNETIC COMPATIBILITY (EMC) NEW



Please order an Ex EMC cable gland to be found on page 318.

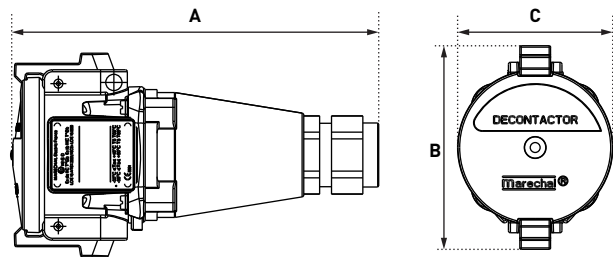
DRAWINGS AND DIMENSIONS

PLUG



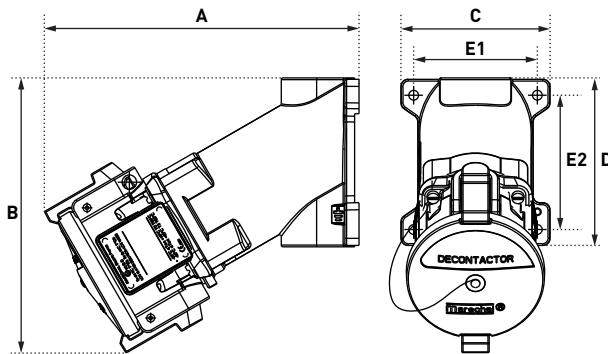
A	B	C
170	79	70

MOBILE SOCKET



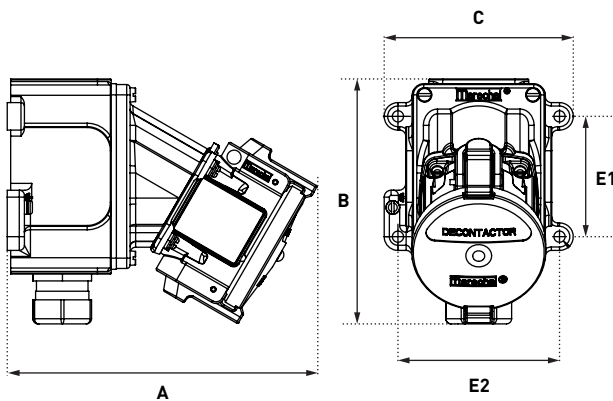
A	B	C
185	103	78

SOCKET MOUNTED ON 30° WALL BOX M20 - M25



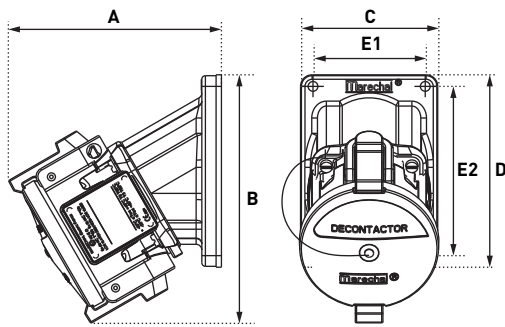
A	B	C	D	E1	E2
178	156	84	95	70	76

SOCKET MOUNTED ON 30° WALL BOX M32



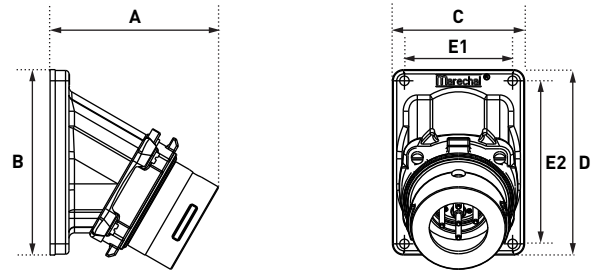
A	B	C	D	E1	E2

SOCKET ON 30° INCLINED SLEEVE



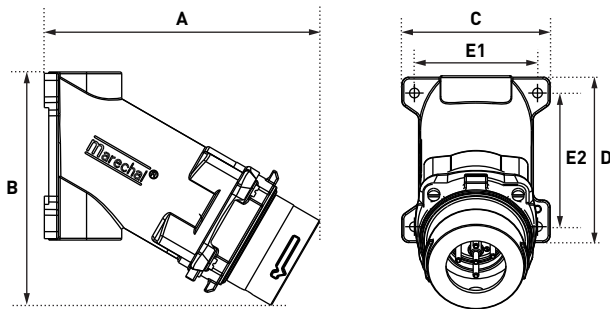
A	B	C	D	E1	E2
120	140	77	108	63	95

PLUG ON 30° INCLINED SLEEVE



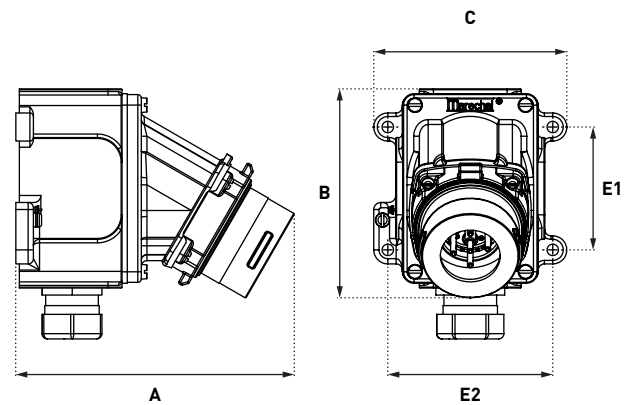
A	B	C	D	E1	E2
98	117	77	108	63	95

PLUG ON 30° WALL BOX M20 - M25



A	B	C	D	E1	E2
157	133	84	95	70	76

PLUG ON 30° WALL BOX M32



A	B	C	E1	E2
159	119	110	70	94