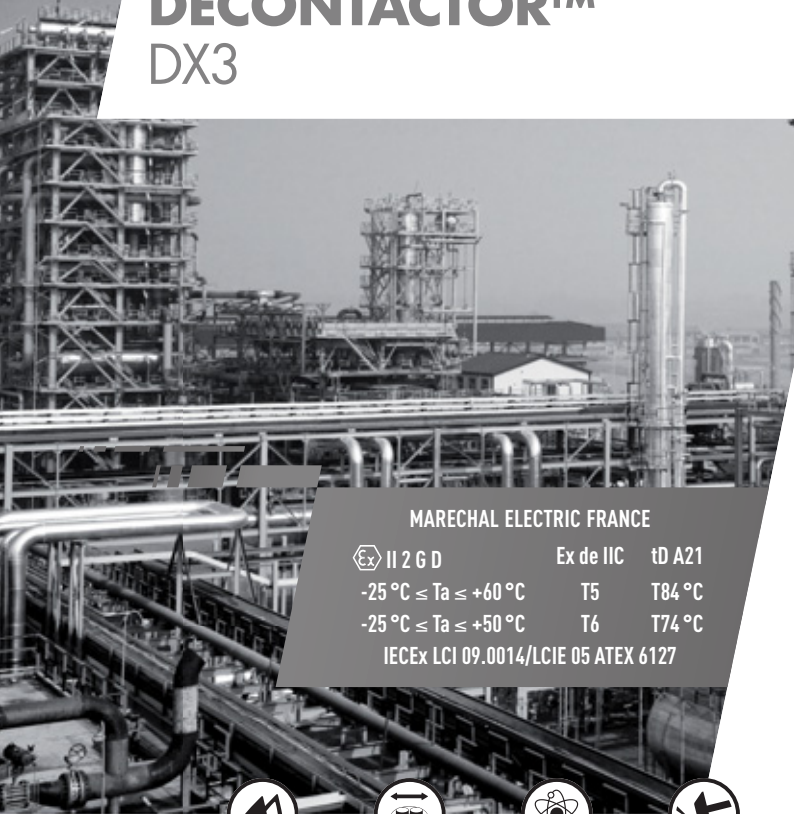


32 A

750 V
U_{MAX} II

DECONTACTOR™ DX3



MARECHAL ELECTRIC FRANCE

II 2 G D Ex de IIC tD A21
 -25 °C ≤ Ta ≤ +60 °C T5 T84 °C
 -25 °C ≤ Ta ≤ +50 °C T6 T74 °C
 IECEx LCI 09.0014/LCIE 05 ATEX 6127



IP65



2,5-10 mm² (1)



METAL



IK10



-25 °C
+60 °C



ATEX



1, 2,
21, 22



EMC

(1) Flexible and stranded wiring (min.-max.).



**Other configurations
on request**

**Locking position
connected or
disconnected by
lockable shaft.**

STANDARDS

International and European IEC/EN standards

60079-0, 60079-1, 60079-7, 60079-31, 60309-1, 60309-4,

Protection mode

de, tD



**Each socket outlet
or inlet must be
associated with a box,
a sleeve or a handle.**

SOCKET-OUTLET
female
DX3



**INCLINED
APPLIANCE**
inlet
DX3




PLUG
male
DX3




220-250 V AC	1P+N+E	2634015	2636015	9-16 mm	2631015
380-440 V AC	3P+E	2634013	2636013	9-16 mm	2631013
380-440 V AC	3P+N+E	2634017	2636017	9-16 mm	2631017

► Other currents, voltages, frequencies and contact configurations are available (see page 14).


REFERENCES ACCESSORIES

WALL BOX	Cable gland entry	Cable outer Ø	Reference
WALL BOX METAL 90° EX METAL CABLE GLAND INCLUDED*			
	M20	8-13 mm	263AB5320M
	M25	9-16 mm	263AB53
	M32	12-21 mm	263AB5332M

* Optional versions for earth continuity are available, please contact us

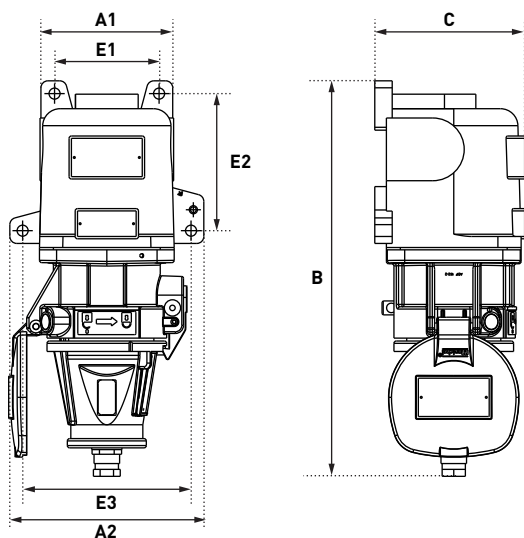
HANDLES	Cable gland entry	Cable outer Ø	Reference
STRAIGHT HANDLE METAL BOX EX METAL CABLE GLAND INCLUDED*			
	M20	8-13 mm	263A95320M
	M25	9-16 mm	263A963
	M32	12-21 mm	263A95332M

OPTIONS	Reference
INLET CAP IP66/IP67	
	263A926

ELECTROMAGNETIC COMPATIBILITY (EMC)	NEW
	Please order a metal accessory herewith, together with a Ex EMC cable gland to be found on page 318.

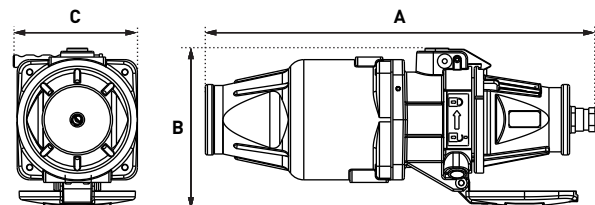
DRAWINGS AND DIMENSIONS

PLUG ON WALL MOUNTED SOCKET OUTLET



A1	A2	B	C	E1	E2	E3
115	145	341	129	90	118	168

COUPLER



A	B	C
116	154	352