

# 32 A

750 V  
U MAX

## DECONTACTOR™ DXN3



MARECHAL ELECTRIC FRANCE

Ex db eb IIC T\* Gb  
 Ex tb IIIC T\* Db  
 \*-40 °C ≤ Ta ≤ +60 °C T5 T77 °C  
 -40 °C ≤ Ta ≤ +40 °C T6 T57 °C  
 IECEx LCI 09.0006X/LCIE 05 ATEX 6149X



IP66  
IP67



2,5-10 mm<sup>2</sup> (1)  
2,5-16 mm<sup>2</sup> (2)



GRP



IK09



-40 °C  
+60 °C



AC-22



ATEX



1, 2,  
21, 22

(1) Flexible wiring (min.-max.).  
(2) Stranded wiring (min.-max.).



Other configurations  
on request

### TEMPERATURE RATING

|                                  |  |
|----------------------------------|--|
| Gas temperature classes          | T6 for an ambient T° between -40 °C and +40 °C                 |
|                                  | T5 for an ambient T° between -40 °C and +60 °C                 |
| Dust surface temperature classes | Surface T° ≤ 57 °C for an ambient T° between -40 °C and +40 °C |
|                                  | Surface T° ≤ 77 °C for an ambient T° between -40 °C and +60 °C |

### STANDARDS

|   |  |
|---|--|
| International and European IEC/EN standards | 60079-0, 60079-1, 60079-7, 60079-31, 60309-1, 60309-4, 60947-3 |
| Protection mode                             | db eb, tb  |

### SOCKET-OUTLET

female  
DXN3



INLET male  
DXN3















|                            |              |            |            |
|----------------------------|--------------|------------|------------|
| 20-24 V AC                 | 2P           | 253408A    | 253808A    |
| 220-250 V AC               | 1P+N+E       | 2534015    | 2538015    |
| 380-440 V AC               | 3P+E         | 2534013    | 2538013    |
| 380-440 V AC               | 3P+N+E       | 2534017    | 2538017    |
| 480-500 V AC               | 3P+E         | 2534093    | 2538093    |
| 480-500 V AC               | 3P+N+E       | 2534097    | 2538097    |
| 550 V AC - Auxiliaries 5 A | + 2 contacts | Ref. + 972 | Ref. + 972 |

► Other currents, voltages, frequencies and contact configurations are available (see page 14).



Each socket outlet  
or inlet must be  
associated with a box,  
a sleeve or a handle.




| OPTIONS   | Reference               |
|---|-------------------------|
| <b>LOCKING PIN FOR 2 PADLOCKS Ø 4 TO 8 mm (PADLOCK NOT SUPPLIED)</b>                |                         |
|    | Socket-outlet ref. +843 |
| <b>SAFETY HASP FOR UP TO 6 PADLOCKS</b>   |                         |
|    | 613A541                 |
| <b>LARGER RELEASE BUTTON</b>  |                         |
|    | Ref. socket +453        |
| <b>INLET CAP IP66/IP67</b>  |                         |
|    | 253A426                 |
| <b>IN-LINE CONNECTIONS (A PAIR OF FINGER DRAW PLATES TO AID CLOSING)</b>            |                         |
|    | 613A346                 |
| <b>SELF CLOSING/SELF RETURNING LID</b>  |                         |
|   | Socket-outlet ref.+R    |
| <b>COMPATIBILITY WITH DSN SOCKET-OUTLET (INDUSTRIAL RANGE)</b>                      |                         |
|  | Contact us.             |
| <b>SELF-EJECTION</b>  |                         |
|  | See page 192            |



| WALL BOX  | Incline angle | Input/<br>Cable outer Ø | Reference                 |
|---|---------------|-------------------------|---------------------------|
| <b>WALL BOX POLY WITH EX POLY CABLE GLAND</b>                                       |               |                         |                           |
|    | 30°           | 10-14 mm                | 253AB53                   |
|   | 30°           | 12-18 mm                | 253AB5325P                |
| <b>WALL BOX POLY WITHOUT CABLE GLAND</b>  |               |                         |                           |
|    | 30°           | M20                     | 253AB53417                |
|   | 30°           | M25                     | 253AB53418                |
| <b>WALL BOX POLY WITH EX POLY CABLE GLAND</b>                                       |               |                         |                           |
|    | 70°           | 10-14 mm                | 253AB8820P                |
|   | 70°           | 12-18 mm                | 253AB8825P                |
| 120 X 120 mm  | 70°           | 16-25 mm                | 253AB8832P                |
| <b>WALL BOX POLY WITH METAL CABLE GLAND WITH EARTH CONTINUITY</b>                   |               |                         |                           |
|  | 70°           | 8-10 mm                 | 253AB8820M                |
|   | 70°           | 12-14 mm                | 253AB8825M                |
| 120 X 120 mm  | 70°           | 18-24 mm                | 253AB8832M                |
| <b>WALL BOX POLY WITH TERMINAL BLOCKS (IECEx LCIE 16.0042X/LCIE 16 ATEX 3054X)</b>  |               |                         |                           |
|  | 70°           | 10-14 mm                | 253A08820P <sup>(1)</sup> |
| 120 X 120 mm  | 70°           | 12-18 mm                | 253A08825P <sup>(1)</sup> |

**IN THIS CONFIGURATION**

U<sub>MAX</sub> = 630 V

1. Delivered with two predrilled entries fitted with 1 cable gland and 1 stopping plug, 8+2 terminals up to 10 mm<sup>2</sup> with 6 mm<sup>2</sup> wires. Wiring : 2.5-10 mm<sup>2</sup>. For other configurations, contact us.

| HANDLE  | Cable outer Ø | Reference  |
|---|---------------|------------|
| <b>POLY HANDLE WITH GLAND EX POLY</b>   |               |            |
|  | 10-14 mm      | 253A753    |
|   | 12-18 mm      | 253A783    |
|   | 16-25 mm      | 253A25332P |
|   | 22-32 mm      | 253A25340P |
| <b>POLY HANDLE WITH EX POLY GLAND FOR SELF-EJECTION OPTION</b>                      |               |            |
|  | 10-14 mm      | 253A463    |
|   | 12-18 mm      | 253A44325P |
|   | 16-25 mm      | 253A44332P |
| <b>STRAIGHT POLY HANDLE WITH METAL CABLE GLAND WITH EARTH CONTINUITY</b>            |               |            |
|  | 8-10 mm       | 253A25320M |
|   | 12-14 mm      | 253A25325M |
|   | 18-24 mm      | 253A25332M |

| SLEEVE  | Incline angle | Reference |
|---|---------------|-----------|
| <b>INCLINED POLY SLEEVE</b>   |               |           |
|  | 30°           | 253A027   |
|  | 70°           | 253A757   |

# 40 A

# 690 V

U MAX

## ZONE 2-22 PLUGS & SOCKETS DXN3



MARECHAL ELECTRIC FRANCE

|                       |            |         |
|-----------------------|------------|---------|
| Ex II 3 GD            | Ex ec IIC  | T* Gc   |
|                       | Ex tc IIIC | T* Dc   |
| *-40 °C ≤ Ta ≤ +60 °C | T4         | T115 °C |
| -40 °C ≤ Ta ≤ +40 °C  | T5         | T95 °C  |
| TF: MAR X 23.0001     |            |         |



IP66  
IP67



2,5-6 mm<sup>2</sup> (1)  
2,5-10 mm<sup>2</sup> (2)



GRP



IK09



-40 °C  
+60 °C



ATEX



2, 22

(1) Flexible wiring (min.-max.).  
(2) Stranded wiring (min.-max.).



Other configurations  
on request

### TEMPERATURE RATING

|                                  |   |
|----------------------------------|---|
| Gas temperature classes          | T5 for an ambient T° between -40 °C and +40 °C                  |
|                                  | T4 for an ambient T° between -40 °C and +60 °C                  |
| Dust surface temperature classes | Surface T° ≤ 95 °C for an ambient T° between -40 °C and +40 °C  |
|                                  | Surface T° ≤ 115 °C for an ambient T° between -40 °C and +60 °C |

### STANDARDS

|   |                            |
|---|----------------------------|
| International and European IEC/EN standards | 60079-0, 60079-7, 60079-31 |
| Protection mode                             | ec, tc                     |

### SOCKET-OUTLET

female  
DXN3



INLET male  
DXN3





| Voltage                     | Contact Configuration | Socket-Outlet Reference | Inlet Reference |
|-----------------------------|-----------------------|-------------------------|-----------------|
| 20-24 V AC                  | 2P                    | 253408AMZ2              | 253808AMZ2      |
| 220-250 V AC                | 1P+N+E                | 2534015MZ2              | 2538015MZ2      |
| 380-440 V AC                | 3P+E                  | 2534013MZ2              | 2538013MZ2      |
| 380-440 V AC                | 3P+N+E                | 2534017MZ2              | 2538017MZ2      |
| 480-500 V AC                | 3P+E                  | 2534193MZ2              | 2538193MZ2      |
| 480-500 V AC                | 3P+N+E                | 2534197MZ2              | 2538197MZ2      |
| 400 V AC - Auxiliaries 30 A | + 2 contacts          | Ref. + 972MZ2           | Ref. + 972MZ2   |







Each socket outlet  
or inlet must be  
associated with a box,  
a sleeve or a handle.

► Other currents, voltages, frequencies and contact configurations are available (see page 14).

| OPTIONS  | Reference            |
|--|----------------------|
| <b>SAFETY HASP FOR UP TO 6 PADLOCKS</b>  |                      |
|   | 613A541              |
| <b>LARGER RELEASE BUTTON</b>   |                      |
|   | Ref. socket +453     |
| <b>INLET CAP IP66/IP67</b>   |                      |
|   | 253A426              |
| <b>IN-LINE CONNECTIONS<br/>(A PAIR OF FINGER DRAW PLATES TO AID CLOSING)</b>       |                      |
|   | 613A346              |
| <b>SELF CLOSING/SELF RETURNING LID</b>   |                      |
|   | Socket-outlet ref.+R |
| <b>COMPATIBILITY WITH DSN SOCKET-OUTLET (INDUSTRIAL RANGE)</b>                     |                      |
|  | Contact us.          |

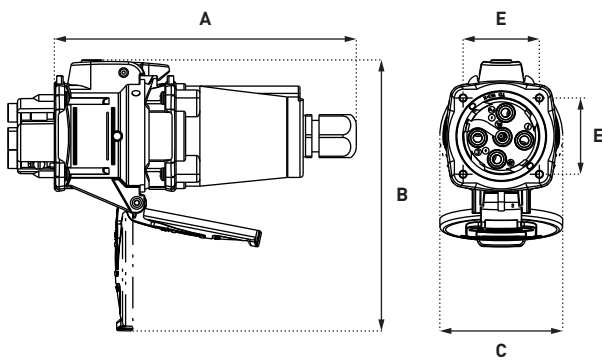
| WALL BOX  | Incline angle | Input/<br>Cable outer Ø | Reference  |
|---|---------------|-------------------------|------------|
| <b>WALL BOX POLY WITH EX POLY CABLE GLAND</b>                                       |               |                         |            |
|    | 30°           | 10-14 mm                | 253AB53    |
|   | 30°           | 12-18 mm                | 253AB5325P |
| <b>WALL BOX POLY WITHOUT CABLE GLAND</b>  |               |                         |            |
|    | 30°           | M20                     | 253AB53417 |
|   | 30°           | M25                     | 253AB53418 |
| <b>WALL BOX POLY WITH EX POLY CABLE GLAND</b>                                       |               |                         |            |
|    | 70°           | 10-14 mm                | 253AB8820P |
| 120 X 120 mm  | 70°           | 12-18 mm                | 253AB8825P |
|   | 70°           | 16-25 mm                | 253AB8832P |
| <b>WALL BOX POLY WITH METAL CABLE GLAND WITH EARTH CONTINUITY</b>                   |               |                         |            |
|  | 70°           | 8-10 mm                 | 253AB8820M |
| 120 X 120 mm  | 70°           | 12-14 mm                | 253AB8825M |
|   | 70°           | 18-24 mm                | 253AB8832M |
| <b>WALL BOX POLY WITH TERMINAL BLOCKS<br/>(TF: MAR X 14.0001)</b>                   |               |                         |            |
|  | 70°           | 10-14 mm                | Contact us |
| 120 X 120 mm  | 70°           | 12-18 mm                | Contact us |

| HANDLE  | Cable outer Ø | Reference  |
|---|---------------|------------|
| <b>POLY HANDLE WITH GLAND EX POLY</b>   |               |            |
|  | 10-14 mm      | 253A753    |
|   | 12-18 mm      | 253A783    |
|   | 16-25 mm      | 253A25332P |
|   | 22-32 mm      | 253A25340P |
| <b>STRAIGHT POLY HANDLE WITH METAL CABLE GLAND WITH EARTH CONTINUITY</b>            |               |            |
|  | 8-10 mm       | 253A25320M |
|   | 12-14 mm      | 253A25325M |
|   | 18-24 mm      | 253A25332M |

| SLEEVE  | Incline angle | Reference |
|---|---------------|-----------|
| <b>INCLINED POLY SLEEVE</b>   |               |           |
|  | 30°           | 253A027   |
|  | 70°           | 253A757   |

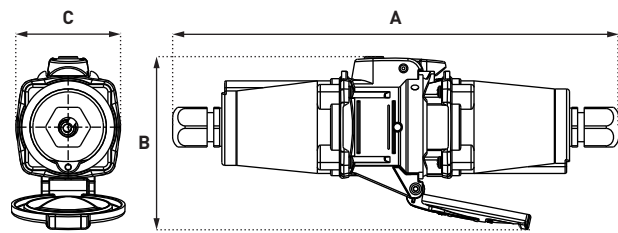
# DRAWINGS AND DIMENSIONS

**PLUG ON SOCKET-OUTLET**



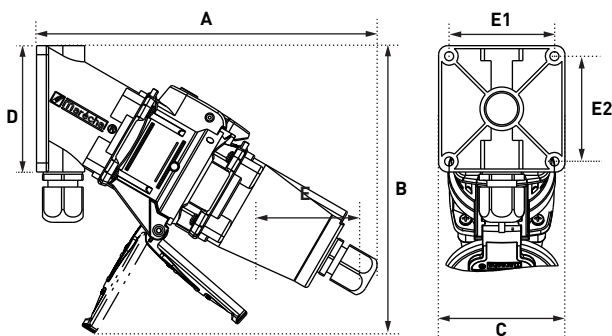
| A   | B   | C  | E  |
|-----|-----|----|----|
| 190 | 171 | 77 | 48 |

**COUPLER**



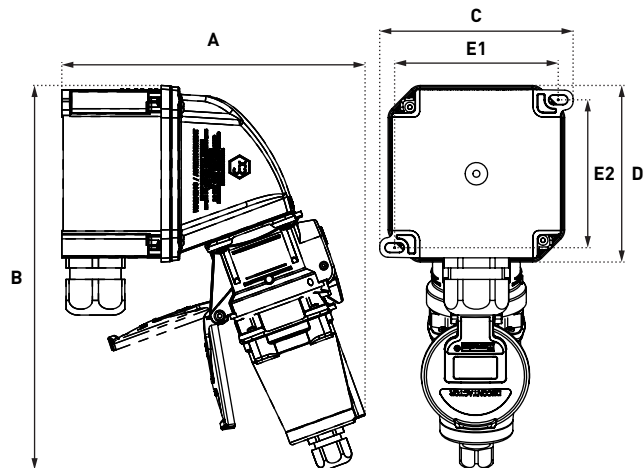
| A   | B  | C   |
|-----|----|-----|
| 304 | 71 | 118 |

**PLUG ON 30° WALL MOUNTED SOCKET OUTLET**



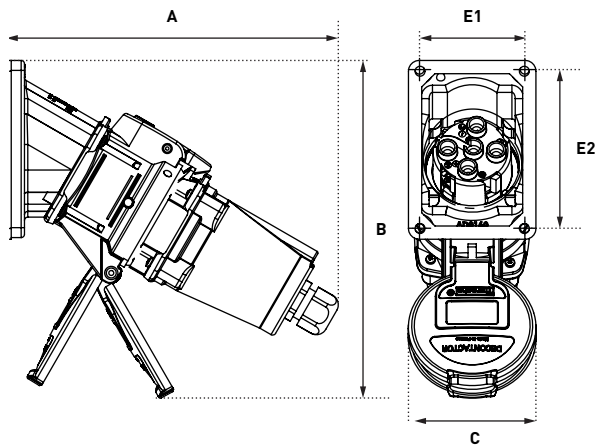
| A   | B   | C  | D  | E1 | E2 |
|-----|-----|----|----|----|----|
| 226 | 191 | 84 | 84 | 71 | 71 |

**PLUG ON 70° WALL-MOUNTED SOCKET-OUTLET**



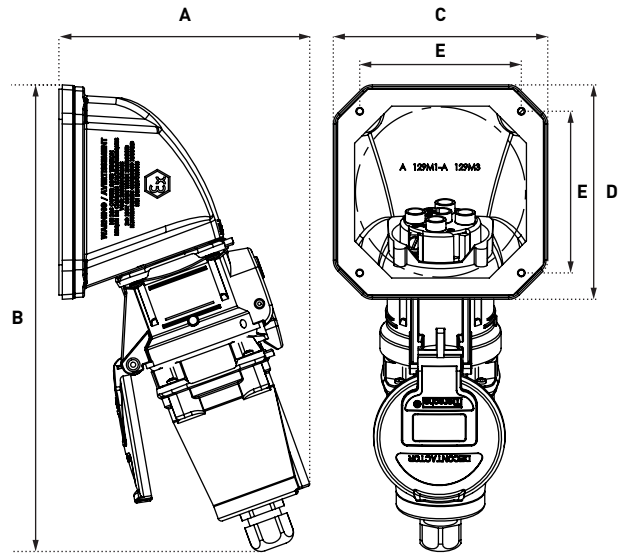
| A   | B   | C   | D   | E1  | E2    |
|-----|-----|-----|-----|-----|-------|
| 208 | 264 | 138 | 126 | 117 | 105.5 |

PLUG ON 30° INCLINED SOCKET-OUTLET



| A   | B   | C  | D   | E1 | E2 |
|-----|-----|----|-----|----|----|
| 201 | 204 | 77 | 108 | 64 | 96 |

PLUG ON 70° INCLINED SOCKET-OUTLET



| A   | B   | C   | D   | E  |
|-----|-----|-----|-----|----|
| 148 | 275 | 126 | 126 | 95 |

